

Category

Conference Systems

Code

K-DVB330-P, K-DVB330-D

Range

AULA DVS300 / Desk microphone stations



Description

K-DVB340-P and K-DVB340-D translation units

The K-DVB340-P and K-DVB340-D voting units enable the users to take part in discussions with voting and translation sessions included. The call push-button can be used to queue to speak, while the internal loudspeaker can be used to listen to the other speakers. The K-DVB340-P Chairman's unit also has the priority function, with which it can step in at any time to interrupt the discussion and disable speakers. Each unit has a badge reader for certain identification of the person accessing the station functions. Discretion during voting is ensured by a recess containing the coloured voting keys and the signalling lamps confirming and accepting the vote that has been cast. The LCD shows all the indications required for the discussion and for the voting phases. The Chairman's unit, if suitably set, can also be used to manage a conference without any further control unit. These units, in addition to discussion and voting functions, also allow the translated languages to be heard via headphones. As usual, the local loudspeaker plays out the speaker channel (floor). When a stereo headphone is plugged into one of the sockets provided, the loudspeaker will be muted and it will be possible to listen to a translated language, selecting it by means of the voting push-buttons. These can also be used to adjust the volume in the headphones. The selections made are shown on the local display.

Main features

- microphone unit on flexible stem with electret capsule and red signalling lamp that lights up to indicate activation of the microphone channel;
- push-button for asking for the floor with green signalling lamp for confirming queuing or enabling;
- for the K-DVB340-P only: priority call push-button enabling the chairperson to interrupt the discussion and momentarily cancel the enabled stations. As an alternative, if the function is selected by setting via the control unit, the priority push-button will open and close voting sessions. In this case priority is obtained by holding down the microphone call push-button.
- progressive selection of the channel to be listened to, from channel 0 (floor) to the maximum number of channels set from the central unit (max = 7 channels + floor);
- push-button for selecting channel mode/volume mode;
- adjustment of the headphone volume in 32 steps.
- internal loudspeaker for playing back the discussion; the loudspeaker is automatically muted while the microphone channel is activated;
- double headphone socket enabling the delegate and a second person to listen; if even only one headphone is connected, the loudspeaker will be excluded;
- badge reader allowing both access to the functions of the unit and recognition of the applicant; the red signalling lamp confirms that enabling has taken place;
- coloured keys for voting with confirmation and acceptance LEDs; these keys are also used to change the settings of the unit during use;
- LCD alphanumeric display with 2 lines and 16 digits per line, backlit for clear and explicit displaying of the information about the conference, on the voting phases and on the state of the unit; during the service phase it supplies indications about the settings of the unit and about the selections;
- male DB9 input connectors and female DB9 output connectors with devices for retaining the connecting cables;
- provisions for automatic enabling of the unit;
- internal provisions for automatic disabling of the unit after 30 seconds of absence of speech;
- internal provisions in the K-DVB340-P unit so as to be able to configure the operating modes of the central unit;
- dark grey self-extinguishing ABS front and sides, on an aluminium structure;
- the unit can be flush-mounted and secured in place by means of suitable optional brackets.

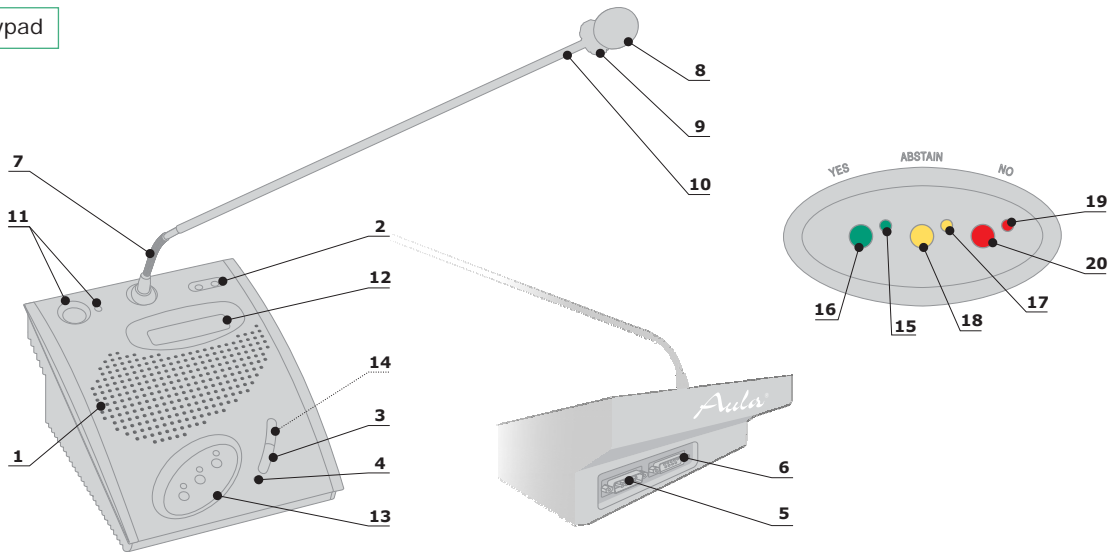
Summary table

Model	K-DVB320-D/P	K-DVB330-D/P	K-DVB340-D/P
Discussion	•	•	•
Votation	-	•	•
Simultaneous translation	-	-	•
Display	-	•	•
Channel selector	-	-	•

Technical data

Microphone type	fixed, flexible gooseneck, electret capsule
Length of gooseneck	50 cm
Mounting	Desk / Half Flush-mounting with optional accessory AC501
Cables	not included
Dimensions	155 x 20-60 x 205 mm
Weight	1 kg

Panels and keypad



Numbered references

1. Internal loudspeaker.
2. Jack sockets for listening via headphones.
3. Push-button for asking for the floor.
4. Lamp for signalling station queued/enabled.
5. Male 9-pin input connector with hook.
6. Female 9-pin input connector with hook.
7. Flexible part of the microphone stem.
8. Body of microphone with electret capsule.
9. Ring that lights up to signal enabling of the microphone.
10. Stiff part of the microphone stem.
11. Badge reader with associated signalling lamp.
12. LCD display, backlit.
13. Recess with keypad for voting.
14. Priority call push-button (only for K-DVB340-P).
15. Green signalling lamp for confirming a vote for the motion.
16. Green push-button for expressing a vote in favour of the motion and selecting channel /volume mode.
17. Yellow signalling lamp for confirming abstention.
18. Yellow push-button for abstaining and for decrements of the channel/volume.
19. Red signalling lamp for confirming a vote against the motion.
20. Red push-button for expressing a vote against the motion and for increments of the channel/volume.